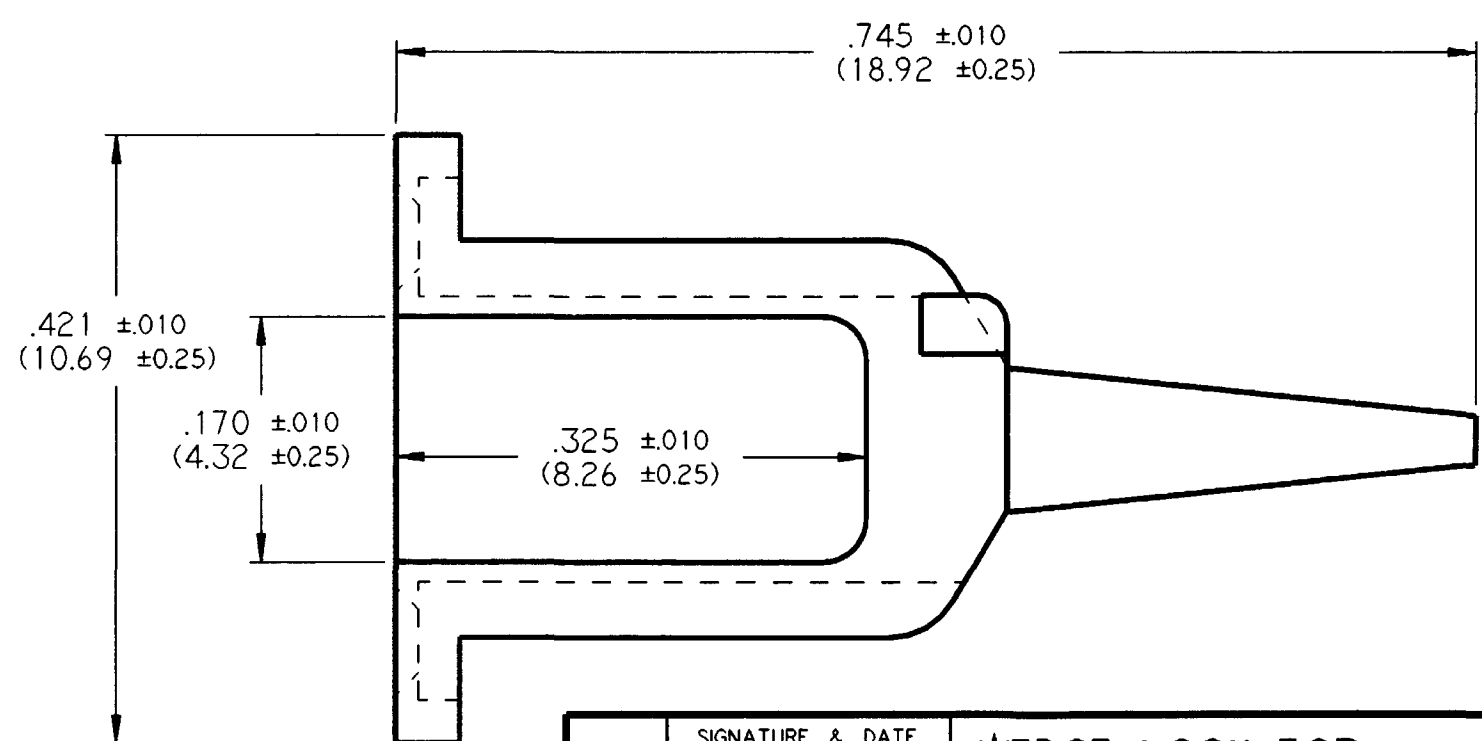
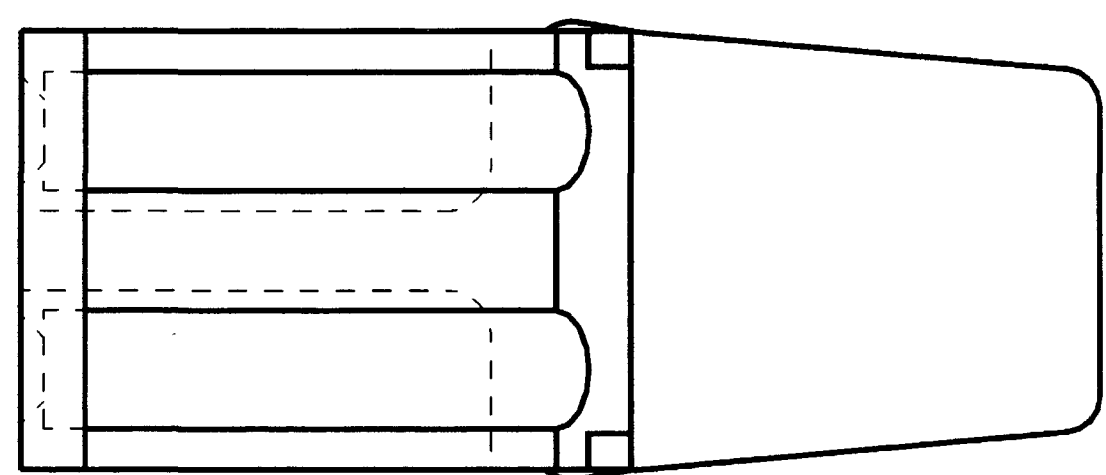
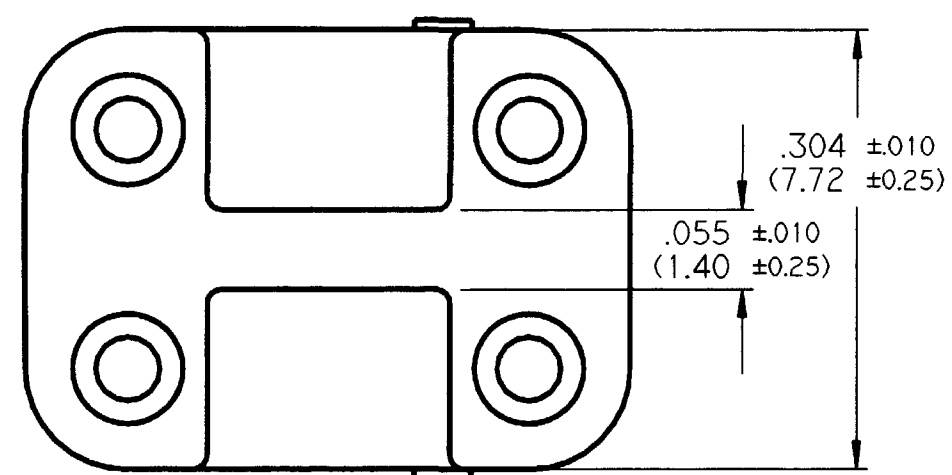


REV NC	<b>WM - 4S</b>	REVISIONS			
		SYM	DESCRIPTION	DATE	APPROVED
		NC	NEW RELEASE PER E.O. A14914	10-27-95	RDR



NOTES:

1. DIMENSIONS ARE IN INCHES (METRIC).
2. DIMENSIONS ARE FOR REFERENCE ONLY.
3. THIS PART MATES WITH DTM06-6S PLUG.
4. COLOR = ORANGE.

SIGNATURE & DATE	
DR	V.TOMSA OCT-23-95
CHK	
PE	<i>William Tomasa Oct 23 95</i>
APPD	<i>R. Reed 10-27-95</i>
SCALE 8:1	WT

**WEDGE LOCK FOR  
4 CONT. PLUG  
HOUSING  
DTM SERIES**

ENVELOPE

CP	MATL CODE
<b>The Deutch Company</b>	
DEUTSCH I.P.D. 37140 INDUSTRIAL AVE. HEMET, CALIF. 92343	
<b>B</b>	<b>WM - 4S</b>
DWG SIZE	CODE 11139
	SHEET 1 OF 1